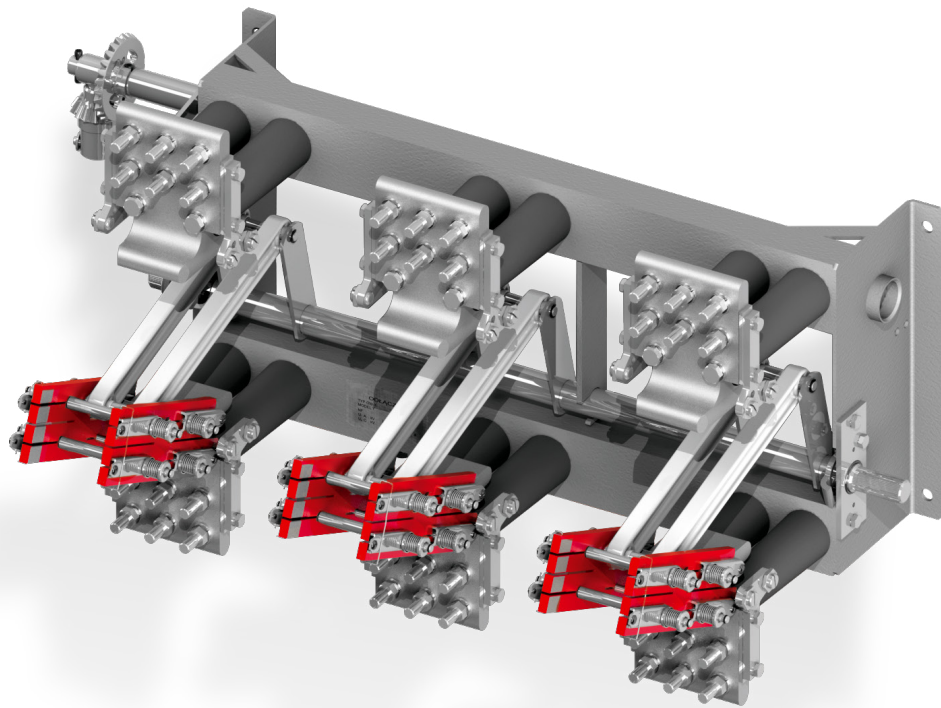


OW

High current indoor disconnecter



CHARACTERISTICS

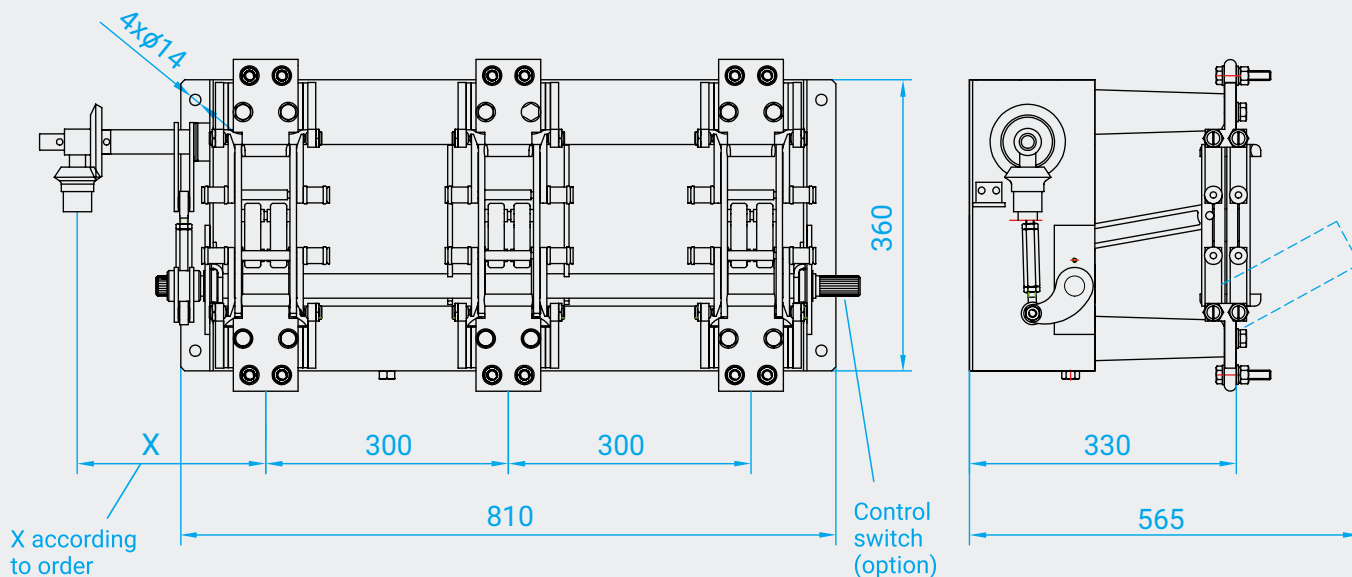
- High performance parameters
- Vertical movement of the current paths allowing to get minimum distance between poles
- Possibility to adapt apparatus to clients' requirements
- Insulators with voltage detector available
- Version with fast moving earthing switch UDS - short-circuit making current ability
- Possibility to use motor operating mechanism with remote control

SPECIFICATION

Item	Parameter	Value							
		3,6 [kV]	3,6 [kV]	12 [kV]	12 [kV]	24 [kV]	36 [kV]	36 [kV]	36 [kV]
1.	Rated operating voltage	3,6 [kV]	3,6 [kV]	12 [kV]	12 [kV]	24 [kV]	36 [kV]	36 [kV]	36 [kV]
2.	Rated continuous current	2500 [A]	4000 [A]	2500 [A]	4000 [A]	2000 [A]	2500 [A]	3150 [A]	3150 [A]
3.	Peak current	150 [kA]	150 [kA]	160 [kA]	160 [kA]	125 [kA]	125 [kA]	150 [kA]	150 [kA]
4.	Short-circuit current	1 sec.	60 [kA]	60 [kA]	64 [kA]	-	50 [kA]	50 [kA]	60 [kA]
		3 sec.	-	-	-	63 [kA]	-	-	-
5.	Test voltage (50Hz):								
	- earth and pole to pole insulation - terminal to terminal insulation	10 [kV] 12 [kV]	10 [kV] 12 [kV]	28 [kV] 32 [kV]	28 [kV] 32 [kV]	50 [kV] 60 [kV]	70 [kV] 80 [kV]	70 [kV] 80 [kV]	70 [kV] 80 [kV]
6.	Surge test voltage:								
	- earth and pole to pole insulation - terminal to terminal insulation	40 [kV] 46 [kV]	40 [kV] 46 [kV]	75 [kV] 85 [kV]	75 [kV] 85 [kV]	125 [kV] 145 [kV]	170 [kV] 195 [kV]	170 [kV] 195 [kV]	170 [kV] 195 [kV]
7.	Pole pitch: - air insulation	260 [mm]	260 [mm]	300 [mm]	300 [mm]	350 [mm]	360 [mm]	520 [mm]	520 [mm]

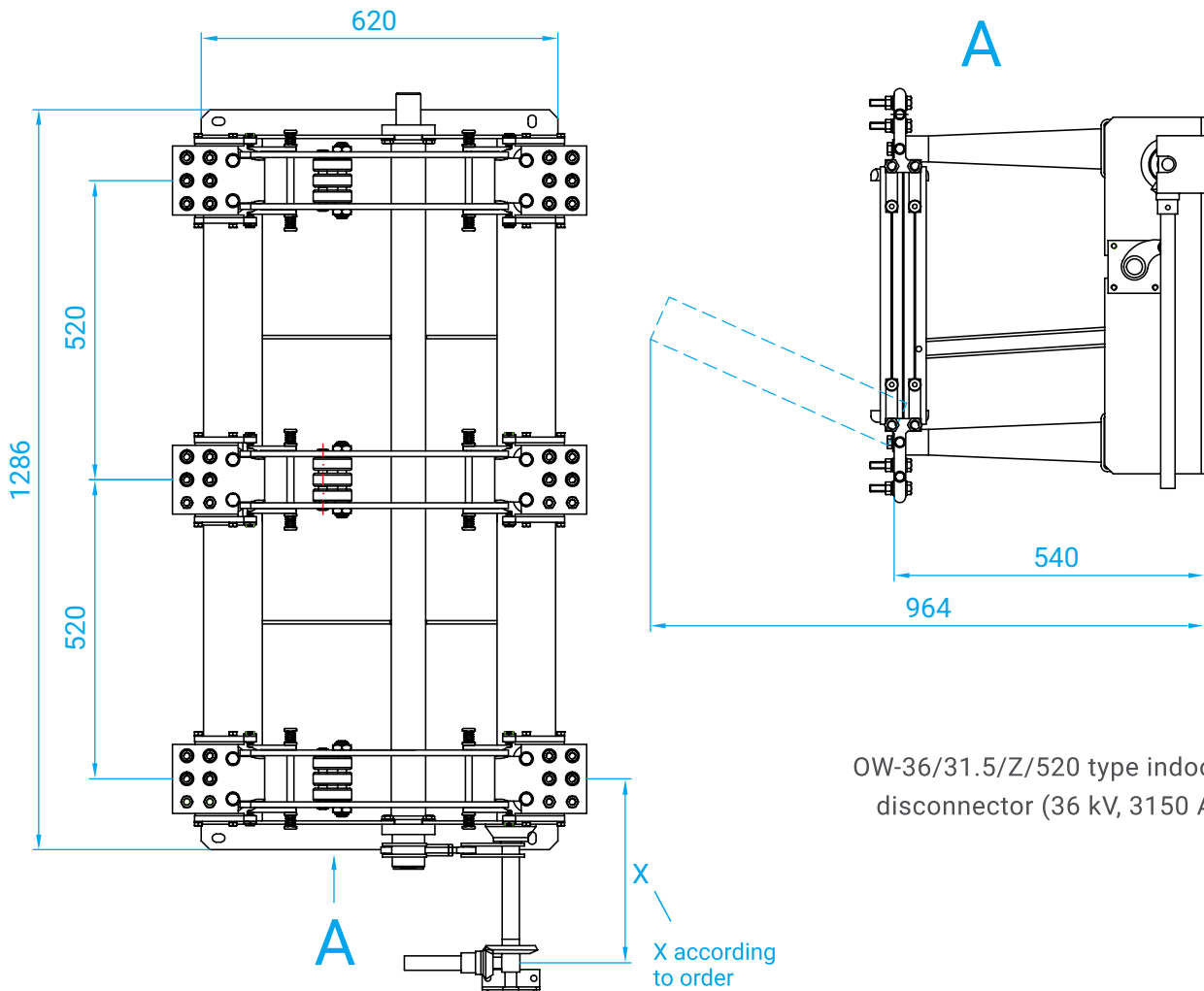
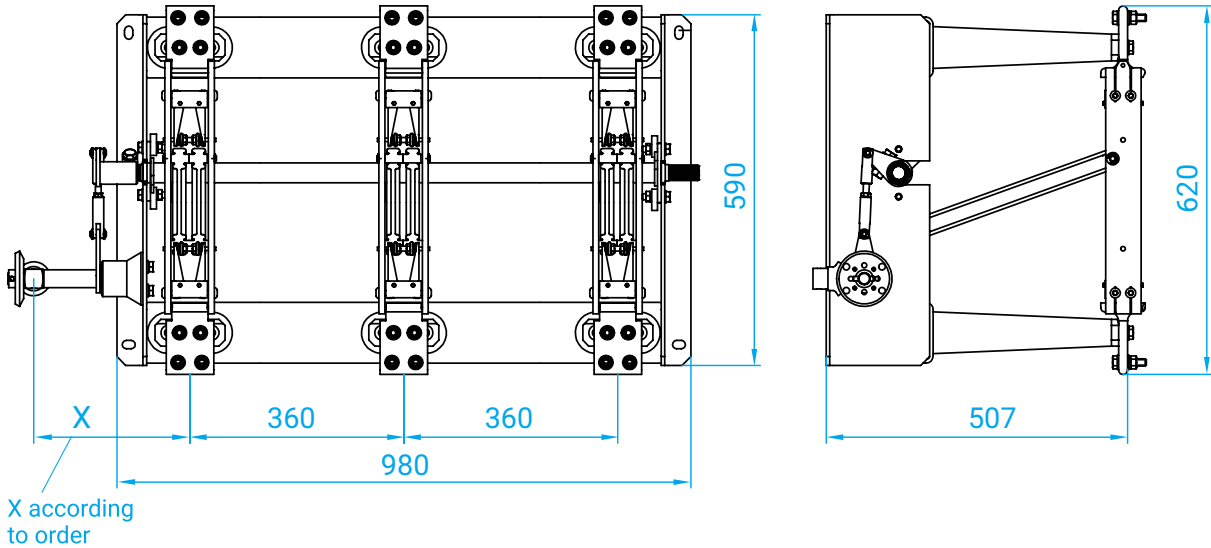
DIAGRAMS

OW type indoor disconnector for 12 kV and 2500 A rated current



DIAGRAMS

OW-36/25/Z/360 type indoor disconnecter: (36 kV, 2500 A)



OW-36/31.5/Z/520 type indoor disconnecter (36 kV, 3150 A)