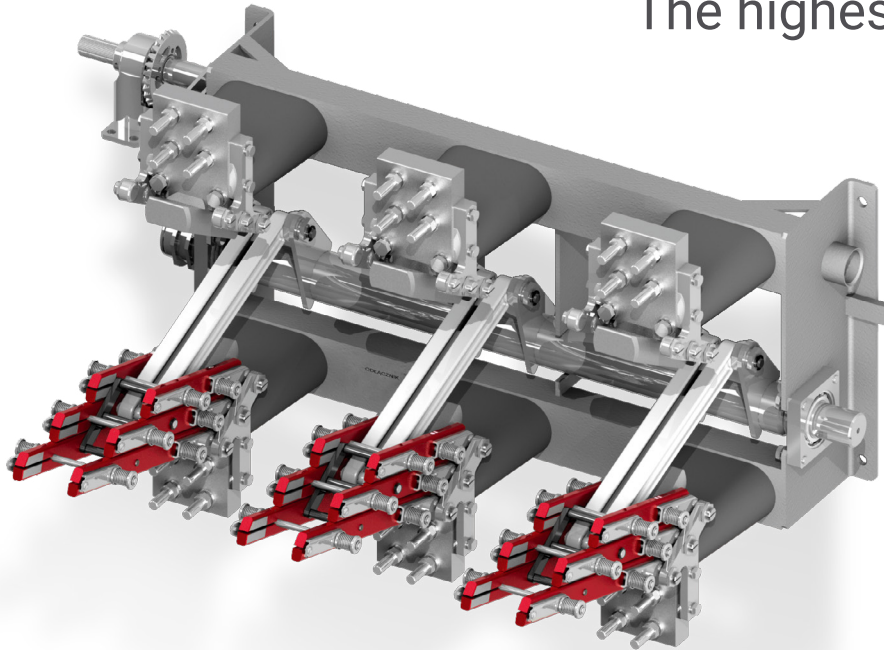


# OVS

The highest current indoor disconnecter



## CHARACTERISTICS

- High performance parameters
- Very high short-circuit and peak current - up to 90/225kA
- Vertical movement of the current paths allowing to get minimum distance between poles
- Possibility to adapt apparatus to clients' requirements
- Insulators with voltage detector available
- Version with fast moving earthing switch UDS - short-circuit making current ability
- Possibility to use motor operating mechanism with remote control

## SPECIFICATION

Item	Parameter	Value
1.	Rated operating voltage	12 [kV]
2.	Rated continuous current	4000 [A]
3.	Peak current	190 [kA] 225 [kA]
4.	Short-circuit current, 1 sec.	76 [kA] 90 [kA]
5.	Test voltage (50Hz): - earth and pole to pole insulation - terminal to terminal insulation	28 [kV] 32 [kV]
6.	Surge test voltage: - earth and pole to pole insulation - terminal to terminal insulation	75 [kV] 85 [kV]
7.	Pole pitch - air insulation	300 [mm]

