

TFP 123-420 kV

Pantograph disconnector

CHARACTERISTICS

- High peak and short-circuit parameters 160/63 kA
- Minimalization of distance between poles in diagonal arrangement
- High durability against forces, e.x. seismic, short-circuit without negative influence on operating mechanisms thanks to 'dead point' solution (crank mechanism)
- Many variants of engaging with busbars system
- Gear mechanism of the current path closed in aluminum housing box
- Excellent anti-corrosion protection
- Reliability of working in hard weather conditions
- One operating mechanism for three-pole apparatus up to 145 kV, above 145 kV separate operating mechanism for each pole
- Cooperating with Swiss company ALPHA Elektrotechnik AG



Current and voltage – our passion

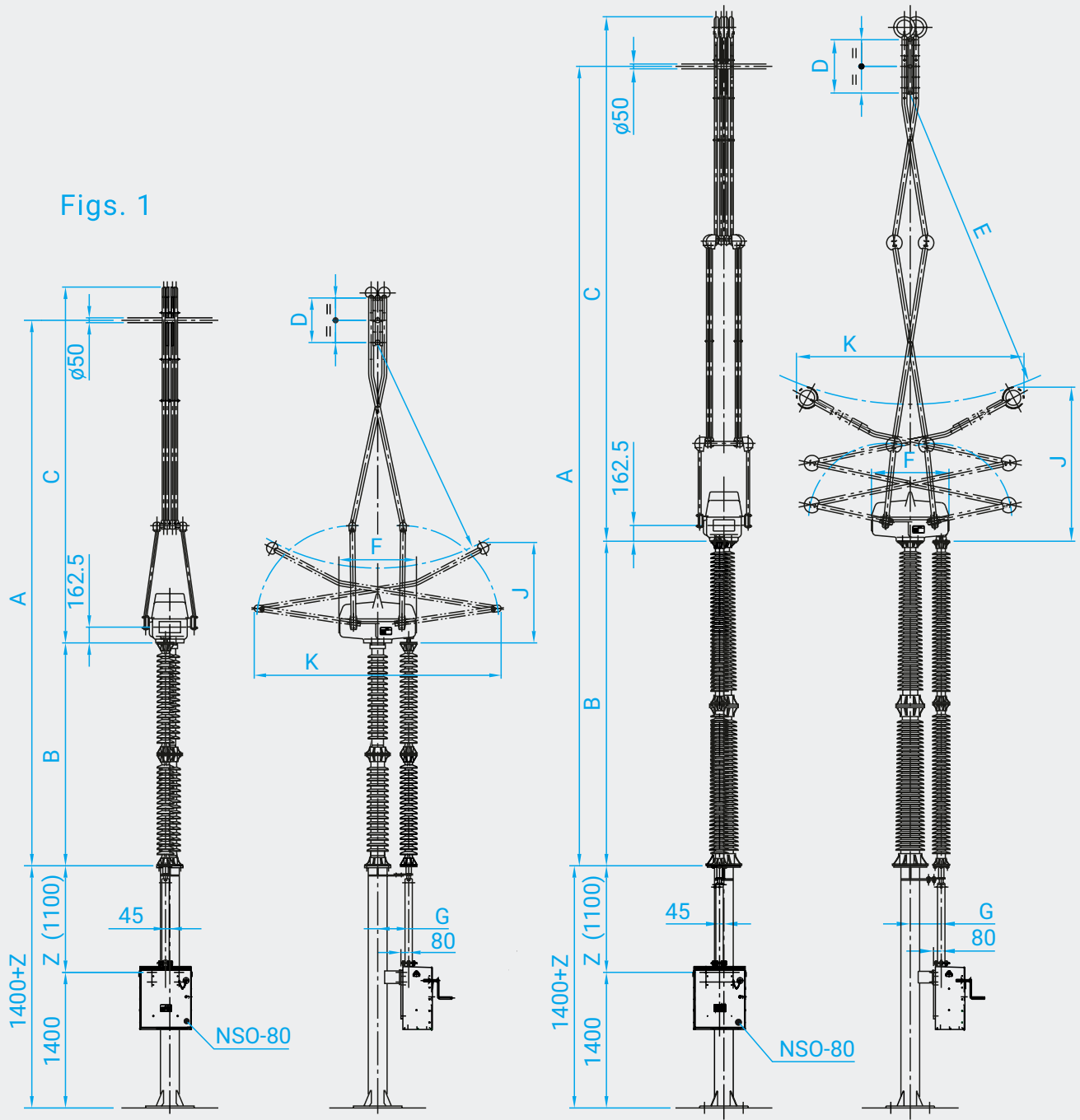
SPECIFICATION

Item	Parameter	Value			
		123 [kV]	170 [kV]	245 [kV]	420 [kV]
1.	Rated voltage	123 [kV]	170 [kV]	245 [kV]	420 [kV]
2.	Rated continuous current	2200 [A]	2200 [A]	2500 [A]	2500 [A]
		2500 [A]	3150 [A]	3150 [A]	3150 [A]
		4000 [A]	4000 [A]	4000 [A]	4000 [A]
3.	Rated peak withstand current	100 [kA]	100/160 [kA]	160 [kA]	160 [kA]
4.	Rated short-circuit withstand current	40 [kA]	40/63 [kA]	63 [kA] t=3s	63 [kA] t=3s
5.	Rated power-frequency withstand voltage: - to earth - across open disconnector	230 [kV]	325 [kV]	460 [kV]	520 [kV]
		265 [kV]	375 [kV]	530 [kV]	610 [kV]
6.	Rated lighting impulse withstand voltage: - to earth - across open disconnector	550 [kV]	750 [kV]	1050 [kV]	1425 [kV]
		630 [kV]	860 [kV]	1200 [kV]	1665 [kV]
7.	Rated switching impulse withstand voltage: - to earth - across open disconnector	-	-	-	1050 [kV]
		-	-	-	1245 [kV]

DIAGRAMS

Figs. 2

Figs. 1



SPECIFICATION

Type	Rated voltage [kV]	Fig	Dimensions (mm)								
			A	B	C	D	E	F	G	J	K
TFPK	123	1	2890	1220	1800	300	1150	630	260	682	1250
TFPK	145	1	3590	1500	2404	300	1465	630	260	642	1672
TFPK	170	1	3982	1700	2580	300	1570	630	260	628	1810
TFPA	170	1	4390	1700	4308	300	1630	800	320	968	2145
TFPA	245	1	5630	2300	3690	460	2280	800	320	1044	2540
TFP	245	2	6250	2300	4417	460	2350	800	320	1478	1740
TFP	420	2	8250	3350	2404	550	3150	800	320	1590	2285