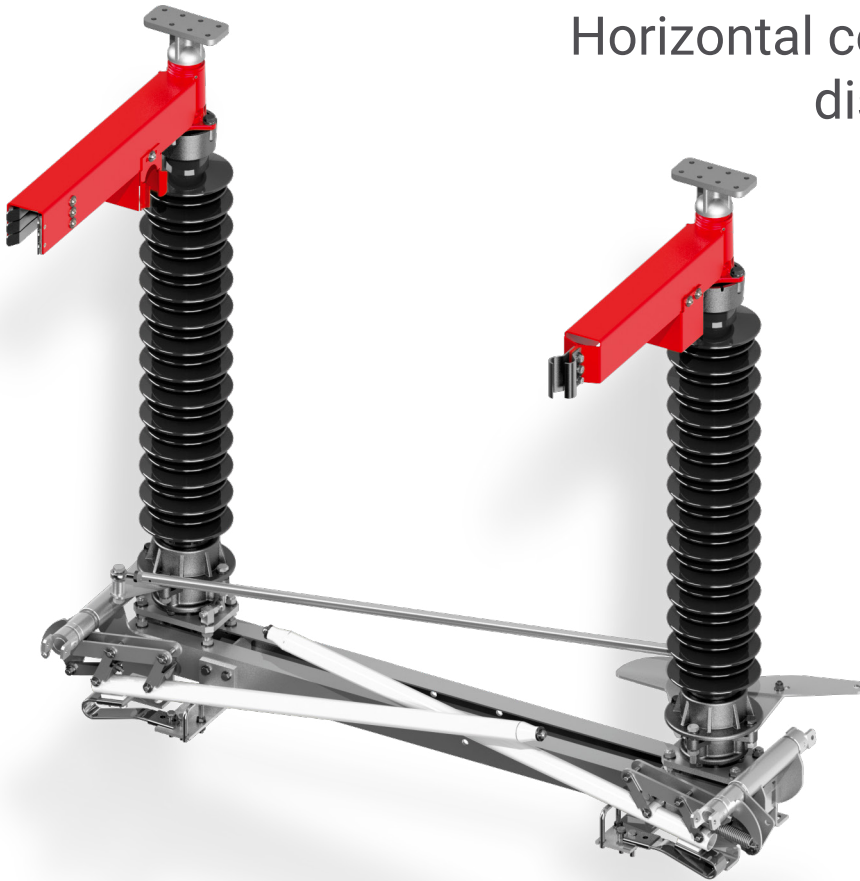


ONIII

Horizontal centre-break disconnecter



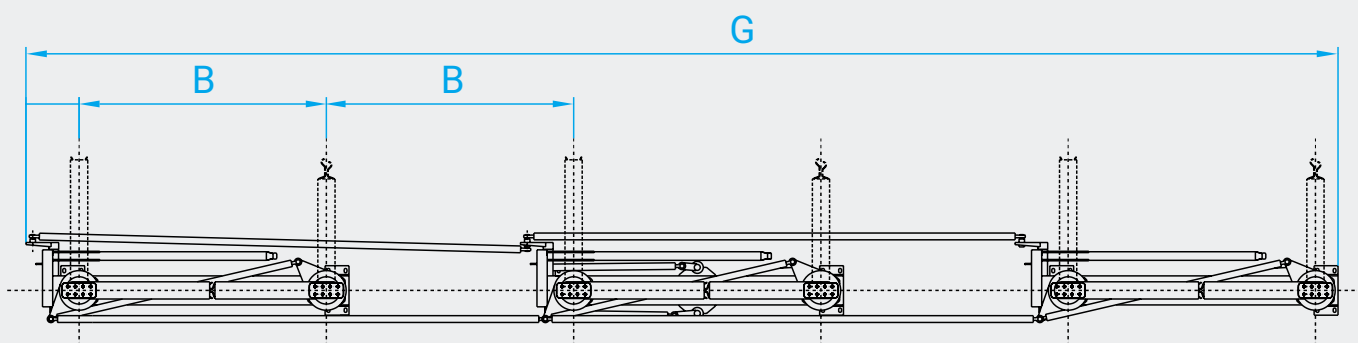
CHARACTERISTICS

- High peak and short-circuit parameters 125/50 kA
- 123 kV and 145 kV versions available with composite insulators inside silicone cover
- High durability against forces, e.x. seismic, short-circuit without negative influence on operating mechanisms thanks to 'dead point' solution (crank mechanism)
- Versions up to 145 kV are delivered completely assembled and adjusted
- Indefective working in hard weather conditions
- Possibility of engaging operating mechanisms with any pole
- Available variants in arrangements: parallel, serial, tandem
- Simple assembling and engaging of disconnecter/earthing switch with operating mechanism
- Possibility of assembling apparatus on site according to the client's requirement

SPECIFICATION

Item	Parameter	Value			
1.	Rated operating voltage	72,5 [kV]	123 [kV]	145 [kV]	245 [kV]
2.	Rated continuous current	1600 [A]	1600 [A]	1600 [A]	1600 [A]
		2500 [A]	2500 [A]	2500 [A]	2500 [A]
		3150 [A]	3150 [A]	3150 [A]	3150 [A]
		4000 [A]	4000 [A]	4000 [A]	4000 [A]
3.	Peak current	125 [kA]	125 [kA]	125 [kA]	125 [kA]
4.	Short-circuit current, 1 sec.	50 [kA]	50 [kA]	50 [kA]	50 [kA]
5.	Test voltage (50 Hz):				
	- earth and pole to pole insulation - contact to contact insulation	140 [kV] 160 [kV]	230 [kV] 265 [kV]	275 [kV] 315 [kV]	460 [kV] 530 [kV]
6.	Surge test voltage:				
	- earth and pole to pole insulation - contact to contact insulation	325 [kV] 375 [kV]	550 [kV] 630 [kV]	650 [kV] 750 [kV]	1050 [kV] 1200 [kV]
7.	Radio interference voltage	<1000 [μV]	<1000 [μV]	<1000 [μV]	<100 [μV]
8.	Mechanical strength	2000 cycles	2000 cycles	2000 cycles	2000 cycles
9.	Operating mechanisms:				
	- motor - manual	NSO80 NR-5	NSO80 NR-5	NSO80 NR-5	NSO80 NR-5

DIAGRAMS

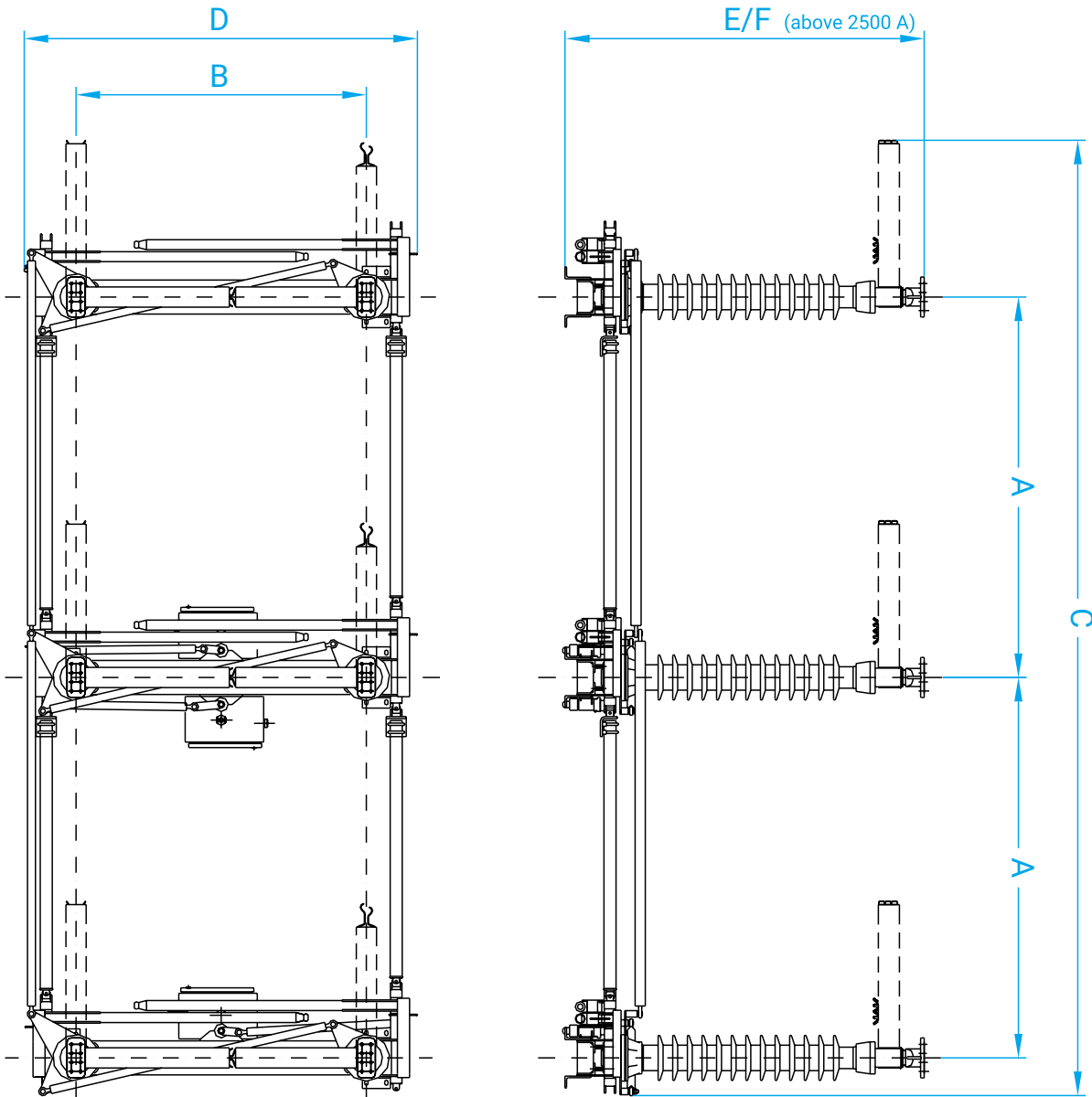


SPECIFICATION

Type	Dimensions (mm)	
	B	G
ONIII-72	900	4940
ONIII-123	1450	7690
ONIII-145	1600	8440
ONIII-245	2295	12230

ONIII | Outdoor HV disconnectors

DIAGRAMS



SPECIFICATION

Type	Dimensions (mm)					
	A	B	C	D	E	F
ONIII-72	1300	900	3170	1425	1334	1380
ONIII-123	1900	1450	4770	1964	1794	1840
ONIII-145	2100	1600	5245	2100	2075	2120
ONIII-245	3500	2295	8620	2810	2990	3135