

# MARK40/G60

Vertical disconnector  
123, 245 i 420kV



## CHARACTERISTICS

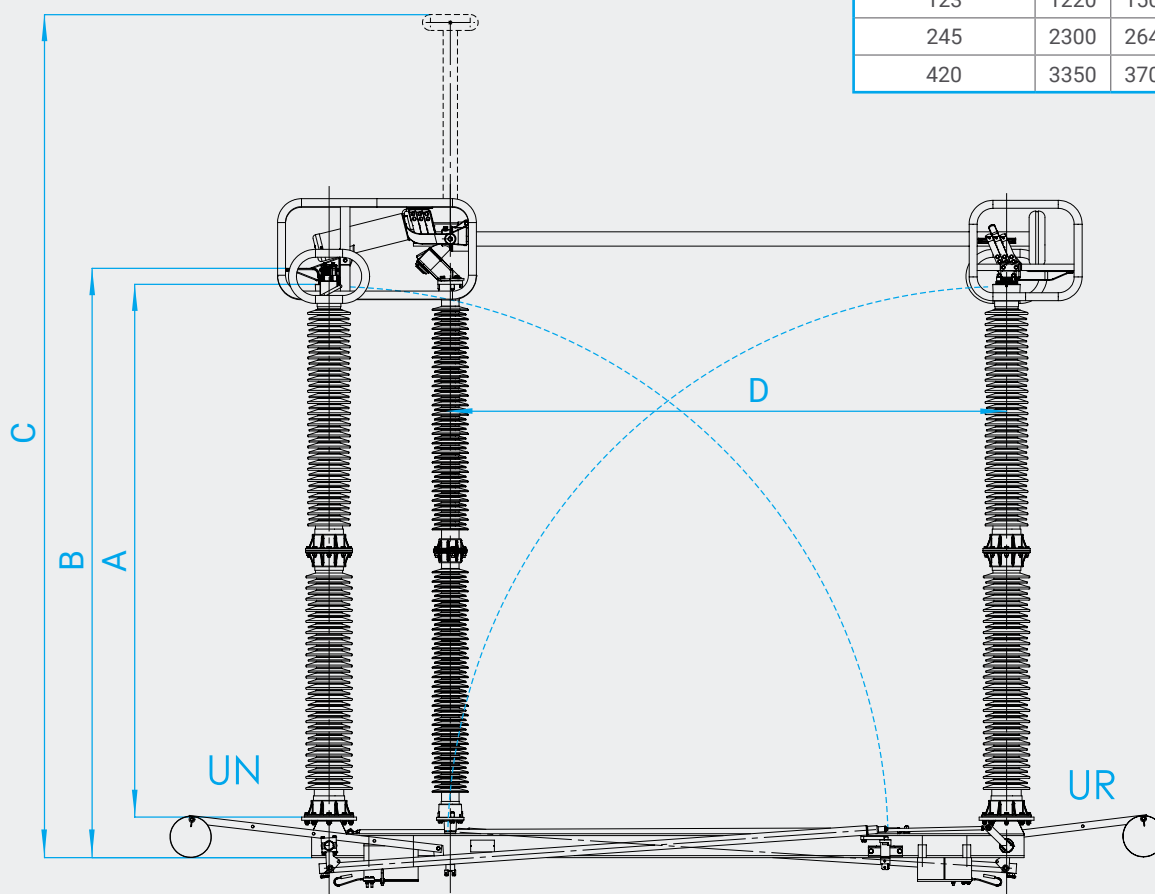
- High peak and short-circuit parameters 160/63 kA
- Very good conduction and endurance during whole exploitation period
- Fast icing removing (20 mm) at the end phase of closing disconnector
- High durability against forces, e.x. seismic, short-circuit without negative influence on operating mechanisms thanks to 'dead point' solution (crank mechanism)
- High short-circuit parameters of G60 earthing switch
- Excellent anti-corrosion protection
- Reliability of working in hard weather condition
- Simple adjustment

## SPECIFICATION

Item	Parameter	Value		
		123 [kV]	245 [kV]	420 [kV]
1.	Rated operating voltage	123 [kV]	245 [kV]	420 [kV]
2.	Rated continuous current	2500 [A]	2500 [A]	2500 [A]
		3150 [A]	3150 [A]	3150 [A]
		4000 [A]	4000 [A]	4000 [A]
3.	Peak current	160 [kA]	160 [kA]	160 [kA]
4.	Short-circuit current, 1 sec.	63 [kA]	63 [kA]	63 [kA]
5.	Test voltage (50 Hz): - earth and pole to pole insulation - contact to contact insulation	230 [kV]	460 [kV]	520 [kV]
		265 [kV]	530 [kV]	610 [kV]
6.	Surge test voltage: - earth and pole to pole insulation - contact to contact insulation	550 [kV]	1050 [kV]	1425 [kV]
		630 [kV]	1200 [kV]	1425 (+240)* [kV]
7.	Operational rated surge test voltage: - earth insulation - contact to contact insulation	-	-	1050 [kV]
		-	-	900 (+345)* [kV]
8.	Radio interference voltage	<2500 [uV]	<2500 [uV]	<2500 [uV]
9.	Mechanical strength	2000 cycles	2000 cycles	2000 cycles
10.	Motor operating mechanism	NSO80	NSO80	NSO80

\* Peak values of alternating voltage at the opposite terminal are shown in parentheses.

## DIAGRAMS



Rated operating voltage [kV]	Dimensions (mm)			
	A	B	C	D
123	1220	1503	3310	1450
245	2300	2641	5765	2648
420	3350	3705	7458	3498