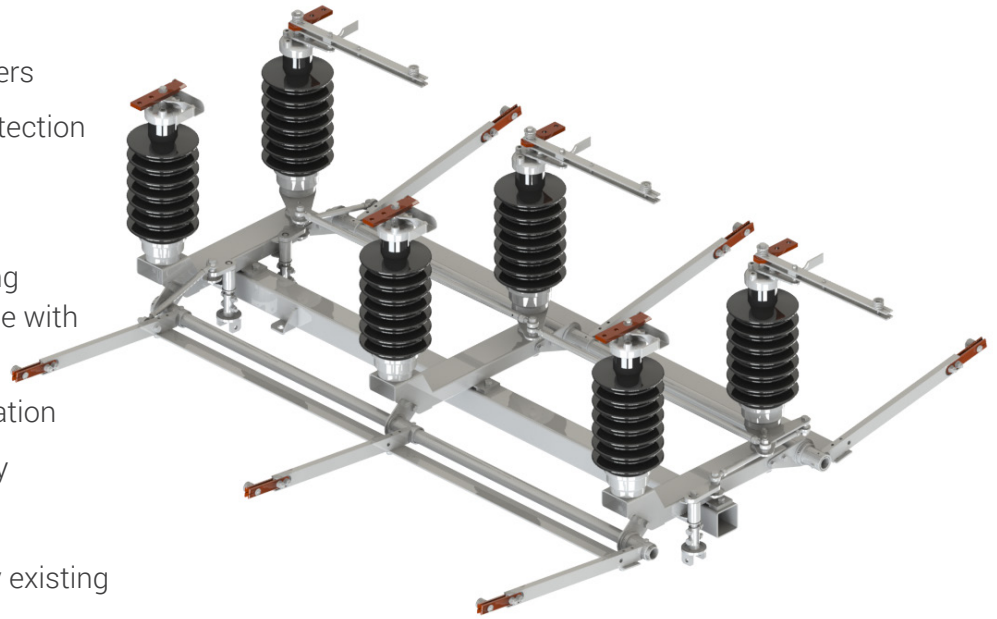


ONIIIIO

Outdoor disconnector

CHARACTERISTICS

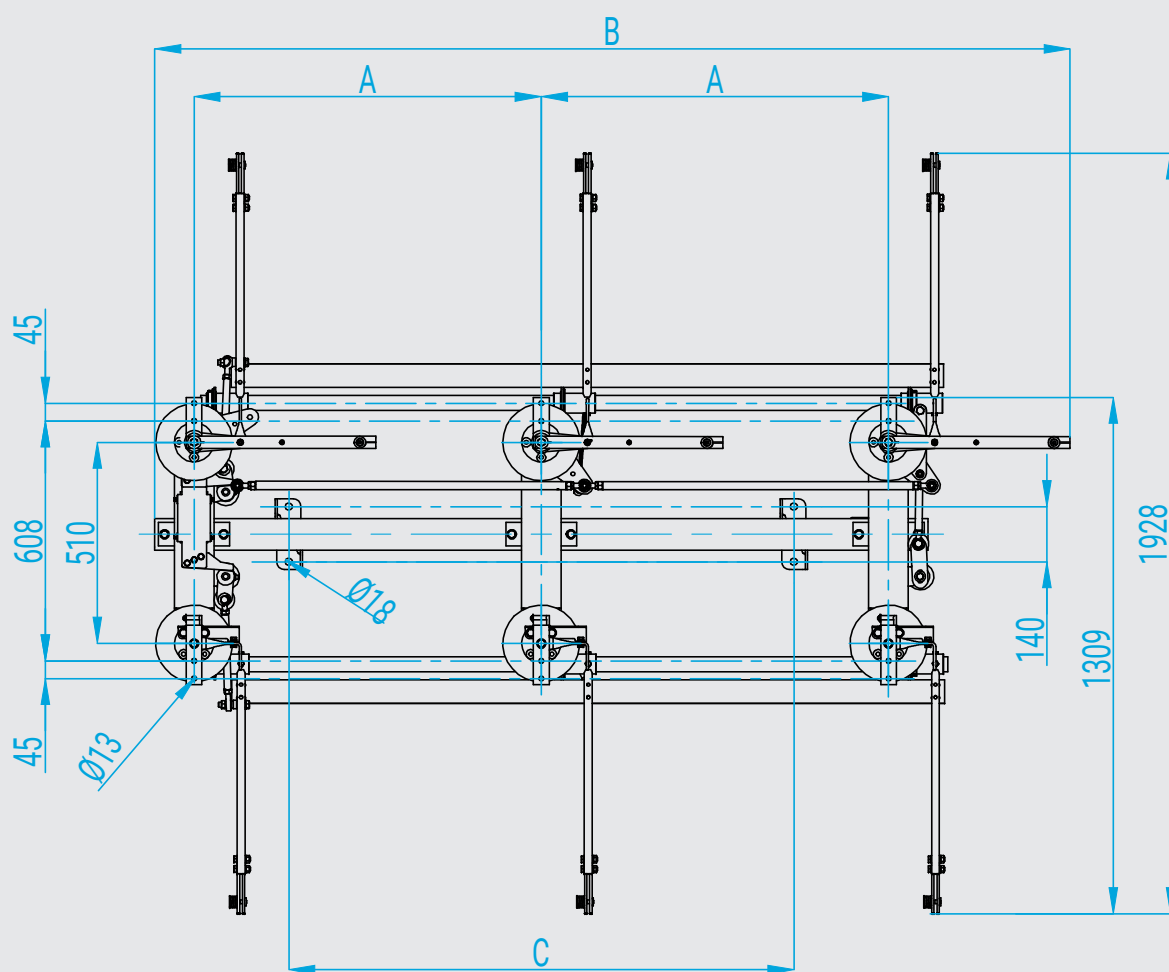
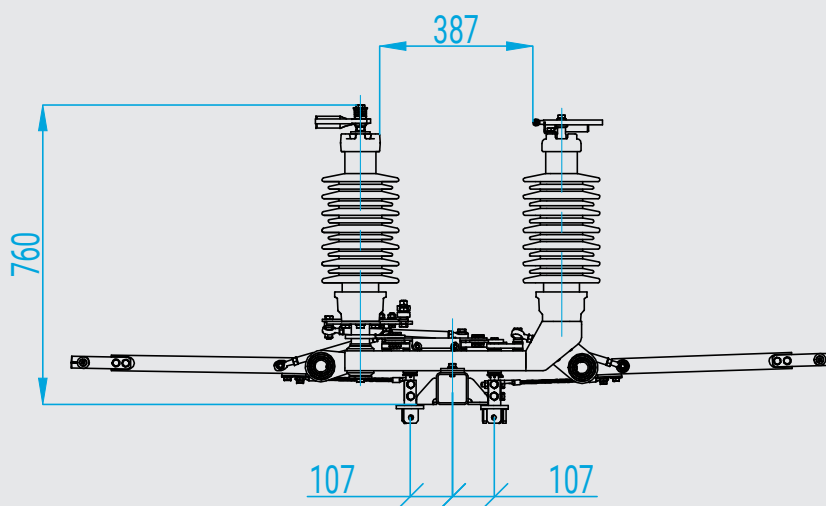
- High performance parameters
- Excellent anti-corrosion protection (hot-deep galvanized parts)
- Silver-plated contact parts
- Version with motor operating mechanism NSO80 available with remote control
- Quick assembly, easy regulation
- High durability and reliability
- Simple and safe operating
- Great alternative for already existing solutions



SPECIFICATION

No.	Parameters	Value
1.	Rated voltage	36 [kV] (40,5 kV)
2.	Rated continuous current	1000 [A]
3.	Peak current	50 [kA]
4.	Short-circuit current 3-sec.	20 [kA]
5.	Test voltage (50 Hz): - earth and pole to pole insulation - contact to contact insulation	70 [kV] (95 kV) 80 [kV] (120 kV)
6.	Surge test voltage : - earth and pole to pole insulation - contact to contact insulation	170 [kV] (190 kV) 195 [kV] (220 kV)
7.	Peak current – earthing switch	63 [kA]
8.	Short-circuit current 1-sec. - earthing switch	25 [kA]
9.	Mechanical strength	2000 cykli
10.	Operating mechanisms: - motor - manual	NSO80 NR-5

DIAGRAMS



A	B	C
880 mm	2320 mm	1280 mm
1000 mm	2560 mm	1520 mm
1200 mm	2960 mm	1920 mm