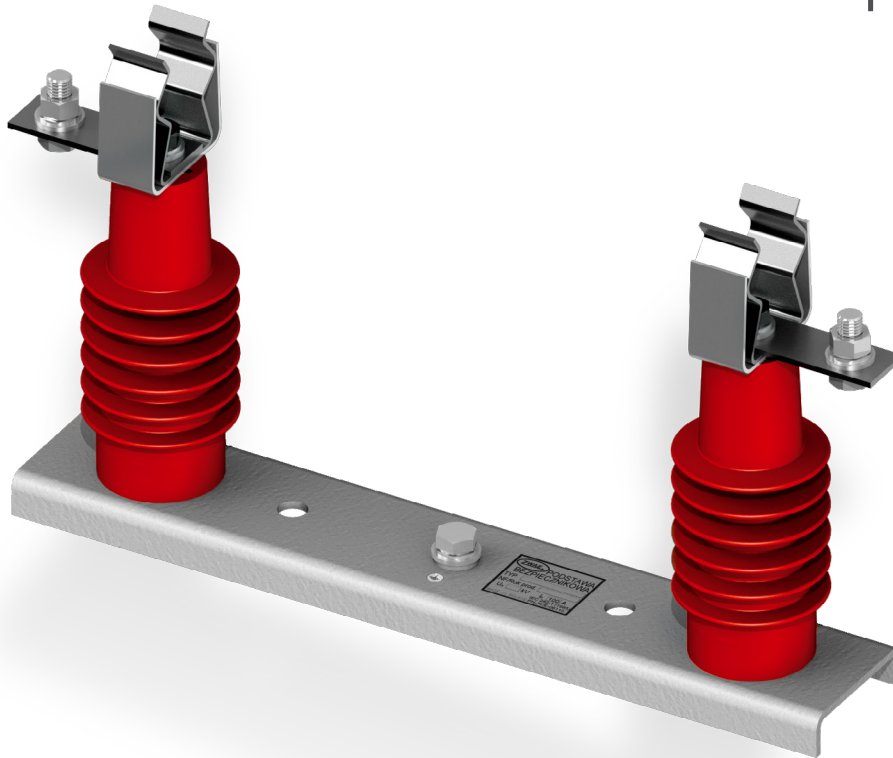


# PB

## Fuse base

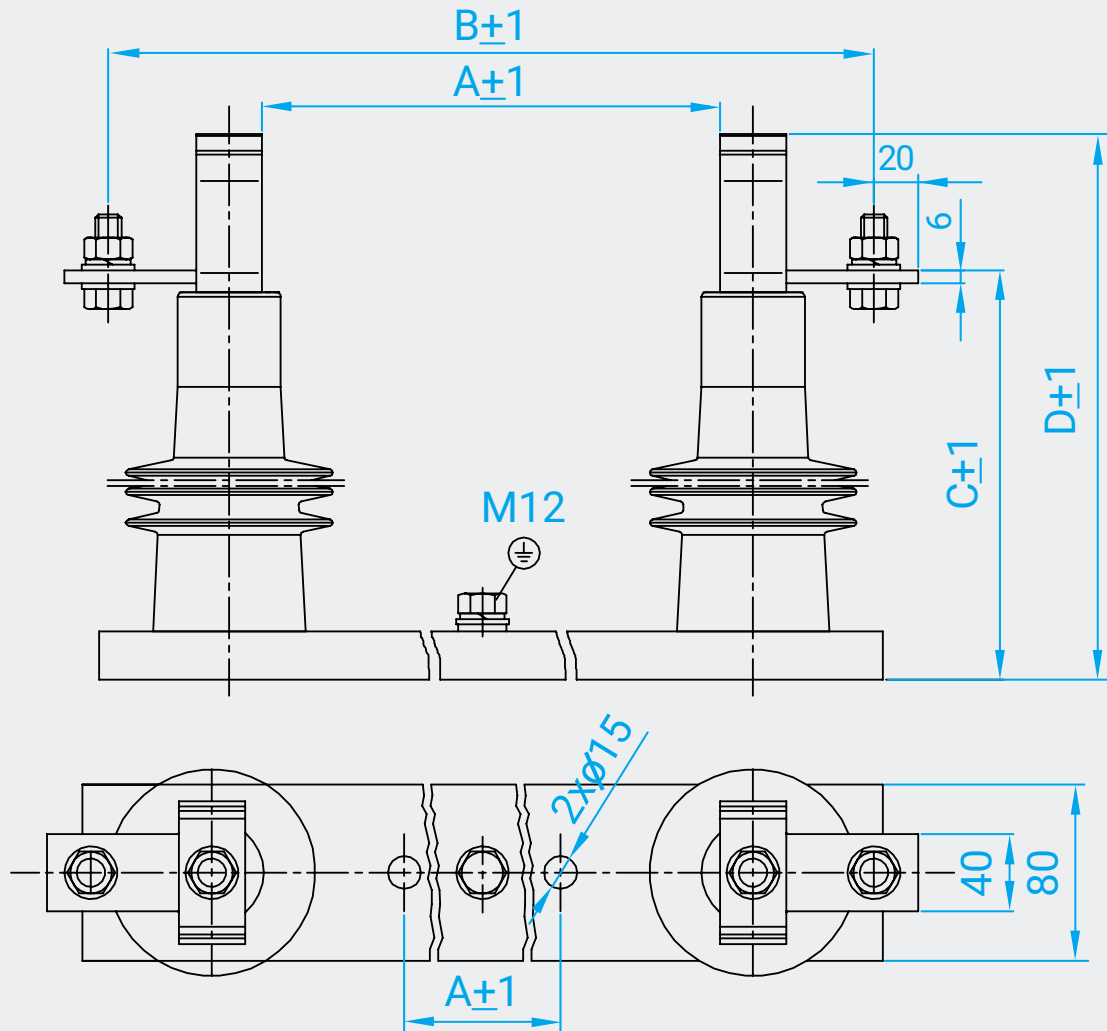


### CHARACTERISTICS

- Simple construction
- Easy assembling
- Possibility to applicate common fuse cartdridges
- Auxiliary contacts to signalize the fuses tripping

### SPECIFICATION

Item	Parameter	Value		
		1.	Insulation rated voltage	12 [kV]
2.	Test voltage (50 Hz)	28 [kV]	50 [kV]	70 [kV]
3.	Surge test voltage	75 [kV]	125 [kV]	170 [kV]



SPECIFICATION

Fuse base type	Dimensions [mm]				
	A	B	C	D	E
12 kV/537 mm	540	680	200	268	380
12 kV/292 mm	295	435	200	268	180
24 kV/537 mm	540	680	282	350	380
24 kV/442 mm	445	585	282	350	300
36 kV/537 mm	540	680	380	448	380